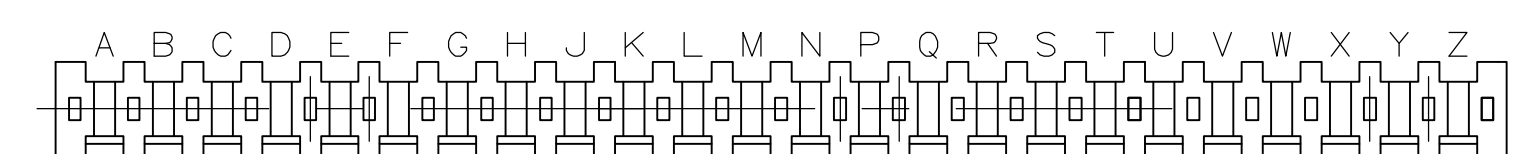
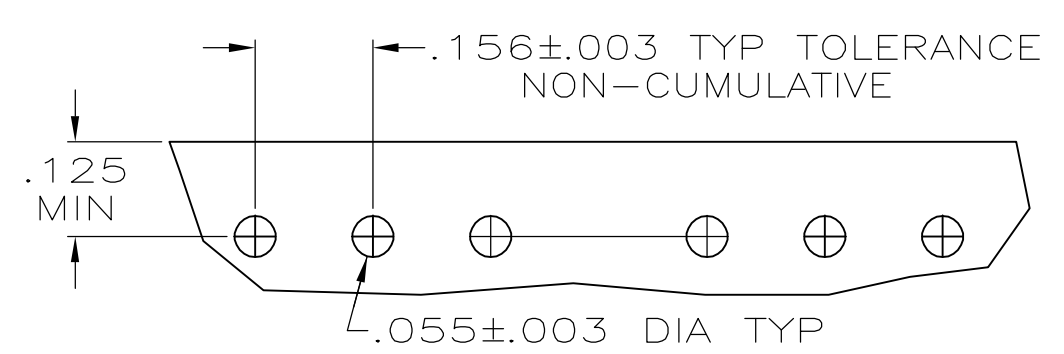


- ① THESE SURFACES WILL NOT BE PLATED
- ② THE NOTED DIMENSIONS APPLY AT THE INTERSECTION OF THE POST AND THE HOUSING
- ③ .000100-.000200 TIN LEAD OVER .000030 NICKEL.
- ④ .000100-.000200 TIN OVER .000030 NICKEL.
- ⑤ PRELIMINARY PART
- ⑥ ROHS 2002/95/EC COMPLIANT.



FINISH	KEYWAY LOCATIONS	NO OF KEYWAY	C	B	A	NO OF POSN	ASSEMBLY PART NUMBER
④	NONE	0	.111	-	-	1	7-87160-6
④	A,C,E,H,K,M,Q,S,U,W,Y	11	3.855	3.744	24	25	7-87160-5
④	A,C,E,G,J,L,N,Q,S,U,W,Y	12	3.699	3.588	23	24	7-87160-4
④	A,D,G,K,N,R,U,X	8	3.543	3.432	22	23	7-87160-3
④	A,C,E,G,J,L,N,Q,S,U,W	11	3.387	3.276	21	22	7-87160-2
④	A,D,G,K,N,R,U	7	3.231	3.120	20	21	7-87160-1
④	A,C,E,G,J,L,N,Q,S,U	10	3.075	2.964	19	20	7-87160-0
④	B,D,F,J,L,N,Q,S	8	2.919	2.808	18	19	6-87160-9
④	A,D,F,J,M,P,S	7	2.763	2.652	17	18	6-87160-8
④	A,D,G,K,N,R	6	2.607	2.496	16	17	6-87160-7
④	A,C,E,G,J,L,N,Q	8	2.451	2.340	15	16	6-87160-6
④	A,D,G,K,N	5	2.295	2.184	14	15	6-87160-5
④	A,C,E,G,J,L,N	7	2.139	2.028	13	14	6-87160-4
④	A,C,E,G,J,L	6	1.827	1.716	11	12	6-87160-3
④	A,D,G,K	4	1.671	1.560	10	11	6-87160-2
④	A,C,E,G,J	5	1.515	1.404	9	10	6-87160-1
④	A,D,G	3	1.359	1.248	8	9	6-87160-0
④	A,C,E,G	4	1.203	1.092	7	8	5-87160-9
④	A,C,E	3	1.047	.936	6	7	5-87160-8
④	A,C,E	3	.891	.780	5	6	5-87160-7
④	A,C	2	.579	.468	3	4	5-87160-6
④	A	1	.423	.312	2	3	5-87160-5
④	A	1	.267	.156	1	2	5-87160-4
④	A,D,J,M	4	1.983	1.872	12	13	5-87160-2
④	A,D	2	.735	.624	4	5	5-87160-1
④	A	1	.267	.156	1	2	3-87160-7
OBSOLETE	NONE	0	5.415	5.304	34	35	3-87160-6
OBSOLETE	NONE	0	5.259	5.148	33	34	3-87160-5
OBSOLETE	NONE	0	5.103	4.992	32	33	3-87160-4
OBSOLETE	NONE	0	4.947	4.836	31	32	3-87160-3
OBSOLETE	NONE	0	4.791	4.680	30	31	3-87160-2
OBSOLETE	NONE	0	4.635	4.524	29	30	3-87160-1
OBSOLETE	NONE	0	4.479	4.368	28	29	3-87160-0
OBSOLETE	NONE	0	4.323	4.212	27	28	2-87160-9
OBSOLETE	NONE	0	4.167	4.056	26	27	2-87160-8
OBSOLETE	NONE	0	4.011	3.900	25	26	2-87160-7
③	NONE	0	.111	-	-	1	2-87160-6
③	A,C,E,H,K,M,Q,S,U,W,Y	11	3.855	3.744	24	25	2-87160-5
③	A,C,E,G,J,L,N,Q,S,U,W,Y	12	3.699	3.588	23	24	2-87160-4
③	A,D,G,K,N,R,U,X	8	3.543	3.432	22	23	2-87160-3
③	A,C,E,G,J,L,N,Q,S,U,W	11	3.387	3.276	21	22	2-87160-2
③	A,D,G,K,N,R,U	7	3.231	3.120	20	21	2-87160-1
③	A,C,E,G,J,L,N,Q,S,U	10	3.075	2.964	19	20	2-87160-0
③	B,D,F,J,L,N,Q,S	8	2.919	2.808	18	19	1-87160-9
③	A,D,F,J,M,P,S	7	2.763	2.652	17	18	1-87160-8
③	A,D,G,K,N,R	6	2.607	2.496	16	17	1-87160-7
③	A,C,E,G,J,L,N,Q	8	2.451	2.340	15	16	1-87160-6
③	A,D,G,K,N	5	2.295	2.184	14	15	1-87160-5
③	A,C,E,G,J,L,N	7	2.139	2.028	13	14	1-87160-4
③	A,C,E,G,J,L	6	1.827	1.716	11	12	1-87160-3
③	A,D,G,K	4	1.671	1.560	10	11	1-87160-2
③	A,C,E,G,J	5	1.515	1.404	9	10	1-87160-1
③	A,D,G	3	1.359	1.248	8	9	1-87160-0
③	A,C,E,G	4	1.203	1.092	7	8	87160-9
③	A,C,E	3	1.047	.936	6	7	87160-8
③	A,C,E	3	.891	.780	5	6	87160-7
③	A,C	2	.579	.468	3	4	87160-6
③	A	1	.423	.312	2	3	87160-5
③	A	1	.267	.156	1	2	87160-4
③		OBSOLETE					87160-3
③	A,D,J,M	4	1.983	1.872	12	13	87160-2
③	A,D	2	.735	.624	4	5	87160-1

THIS DRAWING IS A CONTROLLED DOCUMENT.

DIMENSIONS: INCHES

TOLERANCES UNLESS OTHERWISE SPECIFIED:

0 PLC	± .005
1 PLC	± .005
2 PLC	± .005
3 PLC	± .005
4 PLC	± .005
ANGLES	± .005

MATERIAL: HOUSING - FLAME

FINISH: SEE TABLE

WEIGHT: -

SIZE: A1

DATE CODE: 00779

DRAWING NO: 87160

RESTRICTED TO: -

CUSTOMER DRAWING

SCALE: 4:1

SHEET: 1 OF 1

REV: U1

DWN: L.A.MAYER 3-16-87

CHK: F.B.HUBBEN 3-18-87

APVD: J.SCHIEFFER 3-18-87

NAME: J.SCHIEFFER

PRODUCT SPEC: 108-25016

APPLICATION SPEC: -

TYCO ELECTRONICS CORPORATION  
Harrisburg, PA 17105-3608

HEADER ASSEMBLY, MOD I,  
VERTICAL, SINGLE ROW,  
.156